



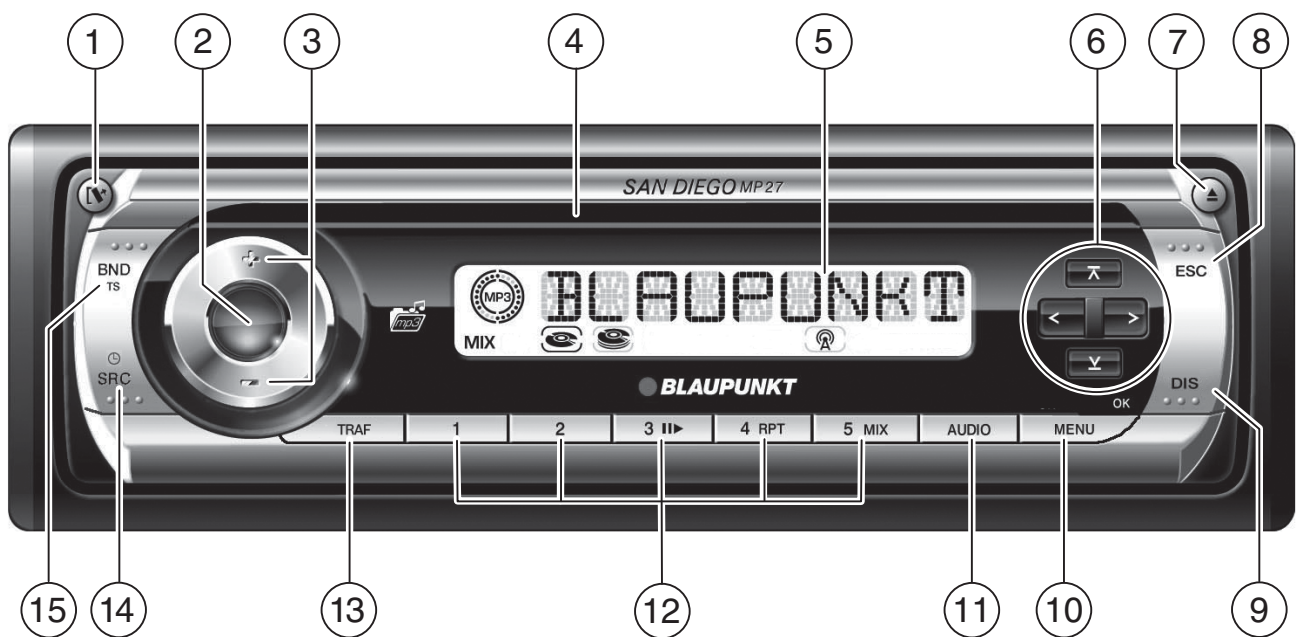
Radio | CD | MP3 | WMA

Brighton MP27	7 647 773 310
Ravenna MP27	7 647 793 310
Rimini MP27	7 647 783 310
San Diego MP27	7 647 683 310



Bedienungsanleitung  
Operating instructions  
Mode d'emploi  
Istruzioni d'uso  
Gebruiksaanwijzing  
Bruksanvisning  
Instrucciones de manejo  
Instruções de serviço  
Betjeningsvejledning  
Instrukcja obsługi  
Návod k obsluze  
Návod na obsluhu

 **BLAUPUNKT**



- ① **🔍** button  
to remove the control panel (release panel)
- ② Button to switch the device on/off and operate the volume mute feature.
- ③ Volume control
- ④ CD tray
- ⑤ LCD display
- ⑥ Arrow buttons
- ⑦ **▲** button  
to eject the CD from the device.
- ⑧ **ESC** button  
Confirm menu item and return to the display of the MENU or AUDIO main level.
- ⑨ **DIS** button  
Short press: Briefly displays alternative display contents (e.g. time).  
Long press: Changes display contents.
- ⑩ **MENU** button (OK)  
Short press: Calls up the menu for settings.  
Confirming the menu selection (OK).  
Long press: Starts the Scan function.
- ⑪ **AUDIO** button  
Sets bass, treble, balance and fader.  
Selects an equalizer presetting.  
Switching X-BASS on/off and adjusting it.
- ⑫ Keys **1 - 5**
- ⑬ **TRAF** button  
Short press: Switches traffic information standby on/off.  
Long press: Switches convenient RDS function on/off.
- ⑭ **SRC/🕒** button  
Short press: Switching sources between CD/MP3, CD changer (if connected) and AUX.  
Long press: Briefly displaying time.
- ⑮ **BND/TS** button  
Short press: Selects the FM memory banks and the MW and LW wavebands.  
Long press: Starts the Travelstore function.

<b>About these instructions .....</b>	<b>32</b>	<b>MP3/WMA mode .....</b>	<b>46</b>
<b>For your safety .....</b>	<b>33</b>	Preparing an MP3/WMA CD .....	46
<b>Scope of delivery .....</b>	<b>34</b>	Switching to MP3 mode .....	47
<b>Detachable control panel .....</b>	<b>34</b>	Configuring the display .....	47
<b>Switching on/off .....</b>	<b>35</b>	Selecting a directory .....	48
<b>Adjusting the volume .....</b>	<b>36</b>	Selecting Tracks/Files.....	48
<b>Radio mode .....</b>	<b>38</b>	Fast search .....	48
Adjusting the tuner.....	38	Random track play (MIX) .....	48
Switching to radio mode .....	38	Scanning tracks (SCAN).....	48
Convenient RDS functions.....	38	Repeating individual tracks or	
Selecting the waveband/ memory bank .....	39	whole directories (REPEAT) .....	49
Tuning into a station .....	39	Interrupting playback (PAUSE).....	49
Setting the sensitivity of station seek tuning .....	39	<b>CD-changer mode .....</b>	<b>50</b>
Storing stations .....	40	Switching to CD-changer mode.....	50
Storing stations automatically (Travelstore) .....	40	Selecting CDs.....	50
Listening to stored stations .....	40	Selecting tracks.....	50
Scanning receivable stations (SCAN) ..	40	Fast searching (audible).....	50
Setting the scanning time.....	40	Configuring the display .....	50
Programme type (PTY) .....	41	Repeating individual tracks or	
Optimising radio reception .....	42	whole CDs (REPEAT) .....	50
<b>Traffic information.....</b>	<b>42</b>	Random track play (MIX) .....	51
<b>CD mode .....</b>	<b>43</b>	Scanning all tracks on all CDs (SCAN) ..	51
Switching to CD mode .....	43	Interrupting playback (PAUSE).....	51
Selecting tracks.....	44	<b>CLOCK time.....</b>	<b>52</b>
Fast track selection .....	44	<b>Sound .....</b>	<b>53</b>
Fast searching (audible).....	44	Adjusting the bass .....	53
Random track play (MIX) .....	44	Adjusting the treble.....	53
Scanning tracks (SCAN).....	44	Setting the left/right volume distribution (balance).....	53
Repeating tracks (REPEAT) .....	44	Adjusting the front/rear volume distribution (fader) .....	53
Interrupting playback (PAUSE).....	45	Equalizer presettings (Presets) .....	54
Configuring the display .....	45	<b>X-BASS .....</b>	<b>54</b>
Displaying CD text.....	45	<b>External audio sources.....</b>	<b>55</b>
Traffic announcements in CD mode ..	45	<b>Specifications .....</b>	<b>55</b>
Ejecting a CD.....	45		

### About these instructions

These instructions contain important information to easily and safely install and operate the device.

- Read these instructions carefully and completely before using the device.
- Keep the instructions at a location so that they are always accessible to all users.
- Always pass on the device to third parties together with these instructions.

In addition, observe the instructions of the devices used in conjunction with this device.

### Symbols used

These instructions employ the following symbols:



**CAUTION!**

Warns about laser beam



**CAUTION!**

Warns about damaging the CD drive



The CE mark confirms the compliance with EU directives.

➔ Identifies a sequencing step

- Identifies a listing

### Use as directed

This device is intended for installation and operation in a vehicle with 12 V vehicle system voltage and must be installed in a DIN slot. Observe the performance limits in the technical data. Repairs and installation, if necessary, should be performed by a specialist.

### Declaration of conformity

The Blaupunkt GmbH declares that this car sound system complies with the basic requirements and the other relevant regulations of the directive 1999/5/EG.

### Service

In some countries, Blaupunkt offers a repair and pickup service.

Under [www.blaupunkt.com](http://www.blaupunkt.com), you can obtain information whether this service is available in your country.

If you want to use this service, you may request a pickup service for your device using the Internet.

### Warranty

We provide a manufacturer's warranty for products bought within the European Union. For devices purchased outside the European Union, the warranty terms issued by our respective responsible domestic agency are valid.

The warranty terms can be called up under [www.blaupunkt.com](http://www.blaupunkt.com) or requested directly from:

Blaupunkt GmbH  
Hotline  
Robert-Bosch-Str. 200  
D-31139 Hildesheim

## For your safety

The device was manufactured according to the state of the art and established safety guidelines. Even so, dangers may occur if you do not observe the safety notes in these instructions:

### If you are installing device yourself

You may only install the device yourself if you are experienced in installing car sound systems and are very familiar with the electrical system of the vehicle. For this purpose, observe the installation instructions at the end of these instructions.

### Observe the following!



#### **Danger!**

The device contains a Class 1 laser that can cause injuries to your eyes.

Do not open the device and do not perform any modifications.

#### In operation

- Operate the device only if traffic situation permits it! Stop at a suitable location to perform more extensive operations.
- Remove or attach the control panel only while the vehicle is standing an.
- Always listen at a moderate volume so that you can hear acoustic warning signals (e.g. police sirens) and protect your hearing. Do not increase the volume when selecting a different audio source or while the CD changer changes the CD. The device is briefly muted.

#### After operation

- The device is worthless to a thief without the control panel. Always remove the control panel whenever you leave the vehicle.
- Transport the control panel so that it is protected against impacts and the contacts cannot become dirty.

### Cleaning notes

Solvents, cleaning and scouring agents as well as dashboard spray and plastics care product may contain ingredients that will damage the surface of the device.

- Use only a dry or slightly moistened cloth for cleaning the device.
- If necessary, clean the contacts of the control panel regularly using a soft cloth moistened with cleaning alcohol.

### Disposal of old unit (EU countries only)



Do not dispose of your old device in the household trash!

Use the return and collection systems available to dispose of the old device.

## Scope of delivery

The scope of delivery includes:

- 1 Car sound system
- 1 Support frame
- 2 Disassembly bar
- 1 Operating instructions

## Optional equipment (not part of the scope of delivery)

Use only accessories approved by Blaupunkt.

## Remote control

The steering wheel and/or handheld remote control allows you to access the most important functions of your car sound system safely and conveniently.

You cannot switch the device on/off using the remote control.

You can find out from your Blaupunkt dealer or on the Internet at [www.blaupunkt.com](http://www.blaupunkt.com) which remote controls can be used with your car sound system.

## Amplifiers

You can use all Blaupunkt and Velocity amplifiers.

## CD changers

You can connect the following Blaupunkt CD changers:

CDC A 03, CDC A 08 and IDC A 09.

## Detachable control panel

### Theft protection

The device is equipped with a detachable control panel (flip-release panel) as a way of protecting your equipment against theft. The device is worthless to a thief without this control panel.

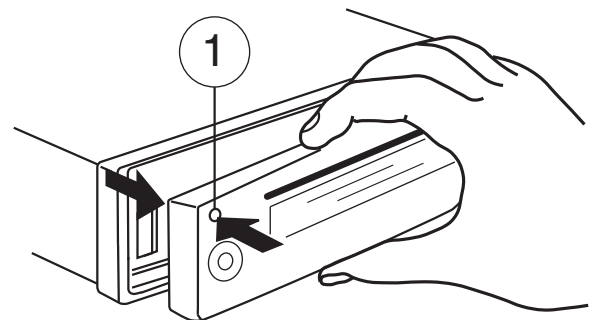
Protect your device against theft by taking the control panel with you whenever you leave your vehicle. Do not leave the control panel inside your vehicle - not even in a hiding place.

The control panel has been designed to be easy to use.

### Notes:

- Never drop the control panel.
- Never expose the control panel to direct sunlight or other heat sources.
- Avoid direct skin contact with the control panel's electrical contacts. If necessary, please clean the contacts with a lint-free cloth moistened with cleaning alcohol.

### Detaching the control panel



- ➔ Press the  button ①.

The locking mechanism of the control panel is unlocked.

- ➔ Pull the control panel straight out of the device and to the left.

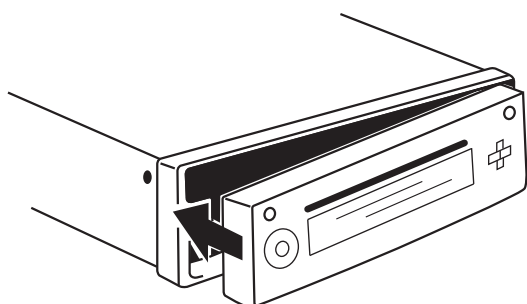
The device switches off.

All the current settings are saved.

Any CD already inserted in the device remains there.

## Attaching the control panel

- ➔ Push the control panel into the guides of the device from the left to the right.
- ➔ Carefully push on the left side of the control panel until it clicks into place.



### Note:

When attaching the control panel, make sure you do not push on the display.

If the device was still switched on when you detached the control panel, it will automatically switch on with the last setting activated (radio, CD, CD changer or AUX) when the panel is replaced.

## Switching on/off

There are various ways of switching the device on/off:

### Switching on/off using the vehicle ignition

The device will switch on/off simultaneously with the ignition if the device is correctly connected to the vehicle's ignition and you did not switch the device off by pressing button (2).

### Switching on/off using button (2)

- ➔ To switch on the device, press button (2).
- ➔ To switch off the device, press and hold down button (2) for longer than two seconds.

The device switches off.

### Note:

To protect the vehicle battery, the device will switch off automatically after one hour if the ignition is off.

### Switching on with CD draw-in

If the device is switched off and no CD is in the drive,

- ➔ gently insert the CD with its printed side uppermost into the drive (4) until you feel some resistance.

The drive draws in the CD automatically.

You must not hinder or assist the drive as it draws in the CD.

The device switches on and CD playback starts.



**Note:**

If the vehicle ignition was switched off prior to inserting the CD, you must switch in on first with the button (2) to start the playback.

**Switching the device on/off using the detachable control panel**

➤ Detach the control panel.

The device switches off.

➤ Attach the control panel again.

The device switches on. The last setting (radio, CD, CD changer or AUX) is reactivated.

**Adjusting the volume**

You can adjust the volume in increments from 0 (off) to 66 (maximum).

To increase the volume,

➤ press the + button (3).

To decrease the volume,

➤ press the – button (3).

**Setting the power-on volume****Note:**

The device features a time-out function (time window).

For example, if you press the **MENU** button (10) and select a menu item, the device switches back after approx. 8 seconds after the last button activation. The settings performed are saved.

You can set the power-on volume.

➤ Press the **MENU** button (10).

➤ Press the **V** or **^** button (6) repeatedly until "ON VOLUME" appears on the display.

➤ Adjust the power-on volume using the **<>** buttons (6).

To help you adjust the setting more easily, the device will increase or decrease the volume as you make your changes.

If you enable "LAST VOL", the volume which was set the last time you switched off the device is re-enabled.

**Note:**

To protect your hearing, the power-on volume is limited to the value "38". If the volume before switching off was higher and the "LAST VOL" setting was selected, the device switches on again with the value "38".

When you have finished making your changes,

- press the **MENU** button (10) twice.

## Quickly reducing the volume (Mute)

You can quickly reduce the volume to a preset level (Mute).

- **Briefly** press the button (2).  
"MUTE" appears on the display.

## Cancelling mute

To return to your previously set volume level,

- **briefly** press the button (2) again.

## Adjusting the mute level

You can adjust the mute level.

- Press the **MENU** button (10).
- Press the **∨** or **∧** button (6) repeatedly until "MUTE LVL" appears on the display.
- Adjust the mute level using the **<>** buttons (6).

When you have finished making your changes,

- press the **MENU** button (10) twice.

## Switching the confirmation beep on/off

The system will output a confirmation beep for some functions if you keep a button pressed down for longer than two seconds, for instance, when assigning a radio station to a station preset button. You can switch the beep on or off.

- Press the **MENU** button (10).
- Press the **∨** or **∧** button (6) repeatedly until "BEEP ON" or "BEEP OFF" appears on the display.
- Switch the beep on or off using the **<** **>** buttons (6).

When you have finished making your changes,

- press the **MENU** button (10).

## Muting during telephone mode

If your device is connected to a cell phone, the car sound system is muted when you "pick up" the phone. For this purpose, the cell phone must be connected to the device as described in the installation instructions.

The display shows "PHONE".

## Radio mode

### Adjusting the tuner

To ensure proper functioning of the tuner, the device must be set for the region in which it is being operated. You can select among Europe (EUROPE), America (USA), South America (S-AMERICA), and Thailand (THAI). The tuner is factory-set to the region in which it was sold. If you experience problems with your radio reception, please check this setting.

The radio functions described in these operating instructions refer to the tuner setting EUROPE.

➔ Switch off the device by pressing button ②.

➔ Hold the buttons **1** and **5** ⑫ pressed at the same time and switch on the device again with the button ②.

"TUNER" is displayed.

➔ Select your tuner region with the **▼** or **▲** button ⑥.

To save the setting,

➔ switch the device off and on again or wait approx. 8 seconds. The radio starts playing with the last setting selected (radio, CD, CD changer or AUX).

### Switching to radio mode

If you are in CD, CD changer or AUX mode,

➔ press the **BND/TS** ⑮ button

or

➔ press the **SRC/⏪** button ⑭ repeatedly until the memory bank, e.g. "FM1", appears on the display.

A border appears around the radio symbol.

### Convenient RDS functions

This device is equipped with an RDS radio receiver (Radio Data System). Many of the receivable FM stations broadcast a signal that not only carries the programme but also additional information such as the station name and programme type (PTY).

The station name appears on the display as soon as the tuner receives it.

The convenient RDS functions AF (Alternative Frequency) and REGIONAL extend your radio's range of functions.

- AF: If the RDS function is activated, the radio automatically tunes into the best receivable frequency for the station that is currently set.
- REGIONAL: At certain times, some radio stations divide their programme into regional programmes providing different content. You can use the REG function to prevent the car radio from switching to alternative frequencies that are transmitting different programme content.

#### Note:

REGIONAL must be activated/deactivated separately in the menu.

### Switching the RDS function on/off

If you want to use the RDS functions (AF and REGIONAL),

➔ press and hold down the **TRAF** ⑬ button for longer than two seconds.

The RDS function is active if the RDS symbol appears on the display.

## Switching REGIONAL on/off

- ➔ Press the **MENU** button (10).
- ➔ Press the **∨** or **∧** button (6) repeatedly until "REG" appears on the display. "OFF" or "ON" is displayed alongside "REG".

To switch REGIONAL on/off,

- ➔ press the **>** or **<** button (6).
- ➔ Press the **MENU** button (10).

## Selecting the waveband/memory bank

This device can receive programmes broadcast over the FM frequency range as well as the MW and LW (AM) wavebands. There are three memory banks available for the FM waveband (FM1, FM2 and FMT) and one for each of the MW and LW wavebands. Five stations can be stored in each memory bank.

To switch between the FM memory banks (FM1, FM2 and FMT) and the MW and LW wavebands,

- ➔ briefly press the **BND/TS** (15) button.

## Tuning into a station

There are various ways of tuning into a station.

### Automatic station seek tuning

- ➔ Press the **∨** or **∧** button (6).

The radio tunes into the next receivable station.

## Tuning into stations manually

You can also tune into stations manually.

### Note:

You can only tune into stations manually if the RDS function is deactivated.

- ➔ Press the **<** or **>** button (6).

## Browsing through broadcasting networks (FM only)

If radio stations provide several programmes, you have the option of browsing through these so-called "broadcasting networks".

### Note:

The RDS function must be activated before you can use this feature.

- ➔ Press the **<** or **>** button (6) to switch to the next station on the broadcasting network.

### Note:

When using this feature, you will only be able to switch to stations that you have received once before already. To receive the stations, use the Scan or Travelstore function.

## Setting the sensitivity of station seek tuning

You can choose whether the radio should only tune into stations providing good reception or whether it can also tune into those with a weak reception.

- ➔ Press the **MENU** button (10).
- ➔ Press the **∨** or **∧** button (6) repeatedly until "SENS" and the currently set value appears on the display.

"SENS HI6" means that the tuner is set to the highest sensitivity setting. "SENS LO1" means it is set to the lowest sensitivity setting.

- Set the desired sensitivity level using the **<>** buttons (6).

When you have finished making your changes,

- press the **MENU** button (10).

### Note:

You can set different sensitivity levels for FM and MW or LW (AM).

## Storing stations

### Storing stations manually

- Select the desired memory bank (FM1, FM2, FMT) or one of the wavebands (MW or LW).
- Tune into the desired station.
- Press and hold down one of the station buttons **1 - 5** (12) for longer than two seconds to assign the station to that button.

### Storing stations automatically (Travelstore)

You can automatically store the five stations offering the strongest reception in the region (FM only). The stations are stored in the FMT memory bank.

### Note:

Any stations that were previously stored in this memory bank are deleted in the process.

- Press and hold down the **BND/TS** (15) for longer than two seconds.

The storing procedure begins. "FMTSTORE" appears on the display. After the process has completed, the radio will play the station that is stored in memory location 1 of the FMT memory bank.

### Listening to stored stations

- Select the memory bank or waveband.
- Press the station button **1 - 5** (12) of the desired station.

### Scanning receivable stations (SCAN)

You can use the scan function to play all the receivable stations briefly. You can set the scanning time from 5 to 30 seconds in the menu (in increments of 5 seconds).

### Starting SCAN

- Press and hold down the **MENU** button (10) for longer than two seconds.

Scanning begins. "SCAN" appears briefly on the display followed by a flashing display of the current station name or frequency.

### Cancelling SCAN and continuing listening to a station

- Press the **MENU** button (10).

Scanning stops and the radio continues playing the station that it tuned into last.

### Setting the scanning time

- Press the **MENU** button (10).
- Press the **∨** or **∧** button (6) repeatedly until "SCAN TIME" appears on the display.
- Set the desired scanning time using the **<>** buttons (6).

When you have finished making your changes,

➔ press the **MENU** button (10) twice.

### Note:

The defined scanning time is also applied by the system to scanning carried out in CD and CD changer mode.

## Programme type (PTY)

Besides transmitting the station name, some FM stations also provide information on the type of programme that they are broadcasting. Your car radio can receive and display this information.

For example, the programme types can be:

CULTURE	TRAVEL	JAZZ
SPORT	NEWS	POP
ROCK	MUSIC	

You can use the PTY function to select stations of a particular programme type.

### PTY-EON

If you specify the programme type and start seek tuning, the radio will switch from the current station to a station of the selected programme type.

### Notes:

- If the tuner does not find a station that corresponds to the selected programme type, you will hear a beep and "NO PTY" appears briefly on the display. The radio will then retune to the station that it received last.
- If the tuned radio station or another station on the broadcasting network broadcasts your selected programme type at a later point in time,

the radio will automatically switch from the currently tuned station or from CD mode or CD-changer mode to the station whose programme type matches the one you selected.

- If you do not want this PTY EON switching, disable it in the menu with "PTY off". First, press one of the **SRC/Ⓞ** (14) or **BND/TS** (15) buttons.

### Switching PTY on/off

- ➔ Press the **MENU** button (10).
- ➔ Press the **∨** or **∧** button (6) repeatedly until "PTY ON" or "PTY OFF" appears on the display.
- ➔ Press the **>** or **<** button (6) to switch PTY ON or OFF.
- ➔ Press the **MENU** button (10).

### Selecting the PTY language

You can select the language for the display of the programme types. Options include "DEUTSCH", "ENGLISH" and "FRANÇAIS".

- ➔ Press the **MENU** button (10).
- ➔ Press the **∨** or **∧** button (6) repeatedly until "PTY LANG" appears on the display.
- ➔ Set the desired language using the **<>** buttons (6).

When you have finished making your changes,

➔ press the **MENU** button (10) twice.

## Selecting a programme type and starting seek tuning

➔ Press the < or > button (6).

The current programme type appears on the display.

➔ If you want to select another programme type, you can do so by pressing the < or > button (6) whilst this display is visible.

The selected programme type appears briefly on the display.

➔ Press the  $\nabla$  or  $\blacktriangleright$  button (6) to start seek tuning.

The radio will then tune into the next station that it finds that corresponds to your selected programme type.

## Optimising radio reception

### HICUT

The HICUT function improves reception during poor radio reception (only FM). If reception interferences are present, the interference level is automatically reduced.

### Switching HICUT on/off

➔ Press the **MENU** button (10).

➔ Press the  $\nabla$  or  $\blacktriangleright$  button (6) repeatedly until "HICUT" appears on the display.

➔ Press the < or > button (6) to adjust the HICUT setting.

"HICUT 0" means no automatic reduction of the interference level, "HICUT 1" means automatic reduction of the interference level.

➔ Press the **MENU** button (10).

## Traffic information

Your device is equipped with an RDS-EON receiver. EON stands for **E**nhanced **O**ther **N**etwork.

Whenever a traffic announcement (TA) is broadcast, the system switches automatically from a station that does not provide traffic reports to the appropriate traffic information station within the broadcasting network that does.

Once the traffic report has been played, the system will switch back to the programme that you were listening to before.

### Switching traffic information priority on/off

➔ Briefly press the **TRAF** button (13).

The priority for traffic announcements is activated if the display shows the traffic jam symbol.

#### Notes:

You will hear a warning beep:

- If you leave the reception area of a traffic information station that you are currently listening to.
- If you are receiving a traffic information station and the volume is set to minimum (0) or if you leave the broadcast area of the set traffic information station while listening to a CD, a CD changer or AUX and the subsequent automatic seek tuning does not find a new traffic information station.
- If you retune the radio from a traffic information station to a station that does not broadcast traffic information.

If you hear the warning beep, you can either switch off traffic information priority or tune into a station that broadcasts traffic information.

## Setting the volume for traffic announcements

- ➔ Press the **MENU** button (10).
- ➔ Press the **V** or **A** button (6) repeatedly until "TA VOLUME" appears on the display.
- ➔ Adjust the volume using the **<>** buttons (6).

When you have finished making your changes,

- ➔ press the **MENU** button (10) twice.

### Notes:

- Using the volume control (3), you can also adjust the volume during a traffic announcement for the duration of that announcement.
- The volume distribution can be adjusted for traffic announcements. For further information, please read the "Sound" chapter.

## CD mode

You can use this device to play standard audio CDs, CD-Rs and CD-RWs with a diameter of 12 or 8 cm.



### Caution!

Labelled or shaped CDs can damage the CD drive.

- Do not insert any shape CDs.
- Do not attach labels to CDs since the label may detach during operation.

### Note:

Label CDs only by using a marker since it does not contain any caustic materials. Permanent markers can damage CDs.

To ensure proper functioning, use only CDs with the Compact-Disc logo. Copy-protected CDs can cause playback problems. Blaupunkt cannot guarantee the proper functioning of copy-protected CDs!

Besides being able to play audio CDs on this device, you can also play CDs containing MP3/WMA music files. For further information, please read the chapter entitled "MP3/WMA mode".

## Switching to CD mode

If there is no CD inserted in the drive,

- ➔ gently insert the CD with its printed side up into the CD tray (4) until you feel some resistance.

The drive draws in the CD automatically.

You must not assist or hinder the drive as it draws in the CD.



The CD starts playing.

The display shows the CD symbol.

### Notes:

- The CD symbol indicates that a CD is located in the drive.  
A border surrounding the CD symbol indicates that CD is selected as audio source.
- If the vehicle ignition was switched off prior to inserting the CD, you must switch in on first with the button (2) to start the playback.

If a CD is already inserted in the drive,

➔ press the **SRC/CD** button (14) repeatedly until "CD" appears on the display.

Playback begins from the point at which it was last interrupted.

## Selecting tracks

➔ Press one of the arrow buttons (6) to select the next or previous track.

If you press the **↵** or **⏪** button (6) once, the player will play the current track again from the beginning.

## Fast track selection

To quickly select tracks backwards or forwards,

➔ press and hold down one of the **↵** **↵** buttons (6) until fast-reverse / fast-forward track selection begins.

## Fast searching (audible)

To fast search backwards or forwards,

➔ press and hold down one of the **<>** buttons (6) until fast searching backwards / forwards begins.

## Random track play (MIX)

➔ Press the **5 MIX** button (12).

"MIX CD" appears briefly on the display and the MIX symbol lights up. The next randomly selected track will then be played.

### Cancelling MIX

➔ Press the **5 MIX** button (12) again.

"MIX OFF" appears briefly on the display and the MIX symbol disappears.

## Scanning tracks (SCAN)

You can scan (briefly play) all the tracks on the CD.

➔ Press and hold down the **MENU** button (10) for longer than two seconds.

The next track will then be scanned.

### Note:

You can set the scanning time. For further information, please read the section entitled "Setting the scanning time" in the "Radio mode" chapter.

### Cancelling SCAN and continuing listening to a track

➔ To stop scanning, press the **MENU** button (10).

The currently scanned track will then continue to be played normally.

## Repeating tracks (REPEAT)

If you want to repeat a track,

➔ press the **4 RPT** button (12).

"RPT TRCK" appears briefly on the display and the RPT symbol is displayed. The track is repeated continuously until you deactivate RPT.


## Cancelling REPEAT

If you want to cancel the repeat function,

➤ press the **4 RPT** button (10) again.


"RPT OFF" appears briefly on the display and the RPT symbol disappears. Normal playback is then resumed.

## Interrupting playback (PAUSE)

➤ Press the button **3**  (12).

"PAUSE" appears on the display.

## Cancelling pause

➤ During the pause, press the button **3**  (12).

Playback is continued.

## Configuring the display

You can select from two display types for CD mode:

- Track number and time
- Track number and playing time

To change the display,

➤ Press and hold down the **DIS** button (9) for longer than 2 seconds.

## Displaying CD text

Some CDs include CD text. The CD text might contain the names of the artist, album and tracks.

You can allow the CD text to be displayed as scrolling text every time you switch to another track. The default display will appear again after the whole CD text has been shown once. For further information, please read the section entitled "Configuring the display".

## Switching CD text on/off

➤ Press the **MENU** button (10).

➤ Press the **√** or **⏏** button (6) repeatedly until "CD TEXT" appears on the display.

➤ Switch the CD text function on ("TEXT ON") or off ("TEXT OFF") using the **<** or **>** button (6).

When you have finished making your changes,

➤ press the **MENU** button (10) twice.

## Traffic announcements in CD mode

If you wish to receive traffic announcements in CD mode,

➤ press the **TRAF** button (13).

The priority for traffic announcements is activated if the display shows the traffic jam symbol. For further information, please read the chapter "Traffic information reception".

## Ejecting a CD

➤ Press the **▲** button (7) next to the CD compartment.

The CD is ejected.

➤ Remove the CD.

### Notes:

- If a CD is ejected, the drive will automatically draw it back in again after approx. 10 seconds.
- You can also eject CDs whilst the device is switched off or whilst another audio source is activated.

## MP3/WMA mode

You can also use this car sound system to play CD-Rs and CD-RWs that contain MP3 music files. You can also play WMA files. The operation for playing MP3 and WMA files is identical.

### Notes:

- WMA files with Digital Rights Management (DRM) from online music shops cannot be played with this device.
- WMA files can only be played back safely if they were created with Windows Media Player version 8.

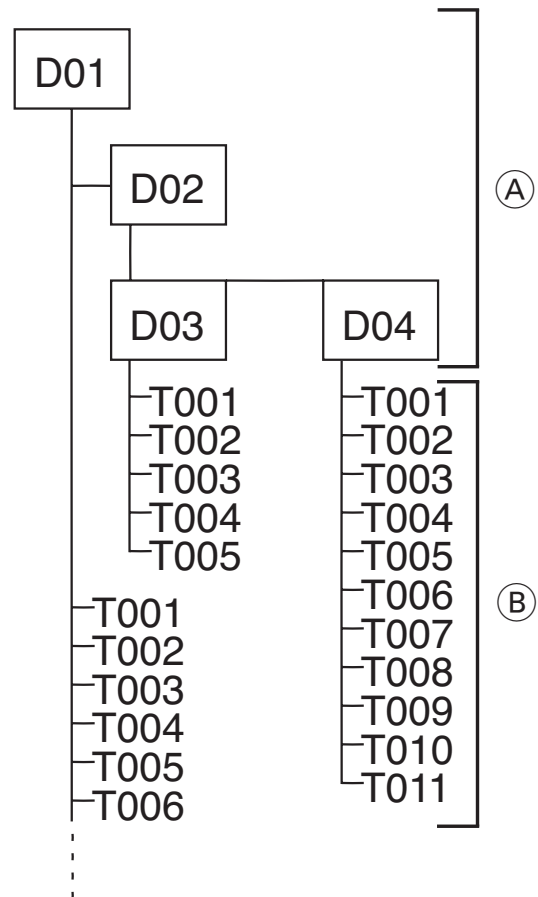
## Preparing an MP3/WMA CD

The various combinations of CD burners, CD burning software and CD blanks may lead to problems arising with the device's ability to play certain CDs. If problems occur with your own burned CDs, you should try another brand of CD blank or choose another colour of CD blank.

The format of the CD must be ISO 9660 Level 1/Level 2 or Joliet. Other formats cannot be played reliably.

You can create a maximum of 252 directories on a CD. You can use this device to access all of these directories individually.

Regardless of the number of directories on the CD, the device can handle up to 511 MP3 files on a single CD, with a maximum of 255 files in one directory.



(A) Directories

(B) Title · Files

You can name each directory using a PC. The device is capable of displaying the directory name. Name the directories and tracks/files using your CD burner software. The software's instruction manual will provide details on how to do this.

### Note:

When naming directories and tracks/files you should avoid using accents and special characters.

If you like your files to be in the correct order, you should use burner software that places files in alphanumerical order. If your software does not provide this feature you also have the option of sorting the files manually. For this purpose, you must enter a number in front of each file name, e.g.

"001", "002", etc. The leading zeros must also be entered.

MP3 tracks can contain additional information such as the artist, album and track names (ID3 tags). This device can display ID3 tags (version 1).

When creating (encoding) MP3 files from audio files, you should use bit rates up to a maximum of 256 Kbit/sec.

This device can only play MP3 files that have the ".MP3" file extension.

### Notes:

To ensure uninterrupted playback,

- do not try changing the file extension to ".MP3" of any files other than MP3 files and then attempt to play them! The device will ignore these invalid files during playback.
- Do not use "mixed" CDs containing both non-MP3 data and MP3 tracks (the device only reads MP3 files during MP3 playback).
- Do not use mix-mode CDs containing both CD-audio tracks and MP3 tracks. If you try playing a mix-mode CD, the device will only play the CD-audio tracks.

## Switching to MP3 mode

MP3 mode is activated in the same way as normal CD mode. For further information, please read the section entitled "Switching to CD mode" in the "CD mode" chapter.

## Configuring the display

The following settings require that an MP3 CD is in the device.

### Configuring the default display

You can display various types of information on the current track:

- Track number and playing time "TRCK-TIME"
- Track number and time "TRCK-CLK"
- Directory number and track number "DIR-TRCK"
- Directory number and time "DIR-CLK"
- Directory number and playing time "DIR-TIME"

### Note:

After the MP3 scrolling text was scrolled once after a track change, the information is permanently shown on the display.

To switch between the different display options,

- ➔ press and hold down the **DIS** button (9) for longer than 2 seconds.
- ➔ For an additional selection, press and hold down the **DIS** button (9) for longer than 2 seconds.

### Configuring the MP3 scrolling texts

One of the following scrolling texts is shown once on the display with every track change. Afterwards, the configured standard display is shown.

The available scrolling texts are:

- Directory name ("DIR NAME")
- Name of the track ("SONG NAME")

- Name of the album ("ALBM NAME")
- Name of the artist ("ARTIST")
- File name ("FILE NAME")

### Note:

Artist, track and album name are part of the MP3-ID tag of version 1 and can only be displayed if they have been saved with the MP3 files (for further information, please read the instructions that came with your PC's MP3 software or burner software).

To switch between the different display options,

- press the **MENU** button (10).
- Press the **∨** or **∧** button (6) repeatedly until "MP3 DISP" appears on the display.
- Select the desired MP3 scrolling text with the **<** or **>** button (6).

When you have finished making your changes,

- press the **MENU** button (10) twice.

## Selecting a directory

To move up or down to another directory,

- press the **∨** or **∧** button (6) once or several times.

## Selecting Tracks/Files

to move up or down to another track/file in the current directory,

- press the **<** or **>** button (6) once or several times.

If you press the **<** button (6) once, the current track will be played again from the beginning.

## Fast search

To fast search backwards or forwards,

- press and hold down the **<** or **>** button (6) until fast searching backwards / forwards begins.

## Random track play (MIX)

To play the tracks in the current directory in random order,

- briefly press the **5 MIX** button (12).

"MIX DIR" appears on the display and the MIX symbol lights up.

To play all the tracks contained on the inserted MP3 CD in random order,

- press and hold down the **5 MIX** button (12) for longer than two seconds.

"MIX CD" appears on the display and the MIX symbol lights up.

## Cancelling MIX

To cancel MIX,

- briefly press the **5 MIX** button (12).

"MIX OFF" appears on the display and the MIX symbol disappears.

## Scanning tracks (SCAN)

You can scan (briefly play) all the tracks on the CD.

- Press and hold down the **MENU** button (10) for longer than two seconds. The next track will then be scanned.

"TRK SCAN" appears on the display next to the flashing track numbers. The titles of the CD are scanned in ascending order.

**Note:**

You can set the scanning time. For further information on setting the scanning time, please read the section entitled "Setting the scanning time" in the "Radio mode" chapter.

**Cancelling SCAN and continuing listening to a track**

➡ Briefly press the **MENU** button (10).

The currently scanned track will then continue to be played normally.

**Repeating individual tracks or whole directories (REPEAT)**

To play the current track repeatedly,

➡ briefly press the **4 RPT** button (12).

"RPT TRCK" appears briefly on the display and RPT lights up.

To repeat the whole directory,

➡ press and hold down the **4 RPT** button (12) for longer than two seconds.

"RPT DIR" appears briefly on the display.


**Cancelling REPEAT**

To stop the current track or current directory from being repeated,

➡ briefly press the **4 RPT** button (12).


"RPT OFF" appears briefly on the display and RPT disappears.

**Interrupting playback (PAUSE)**

➡ Press the button **3**  (12).

"PAUSE" appears on the display.

**Cancelling pause**

➡ During the pause, press the button **3**  (12).

Playback is continued.

## CD-changer mode

### Note:

Information on handling CDs, inserting CDs and operating the CD changer can be found in the operating instructions supplied with your CD changer.

### Switching to CD-changer mode

➔ Press the **SRC/⏮** button (14) repeatedly until "CHANGER" appears on the display.

A border appears around the CD changer symbol.

The device starts playing the first CD that the CD changer detects.

### Selecting CDs

To move up or down to another CD,

➔ press the **⏮** or **⏭** button (6) once or several times.

### Note:

The device will ignore empty CD slots in the changer and slots containing invalid CDs.

### Selecting tracks

To move up or down to another track on the current CD,

➔ press the **<** or **>** button (6) once or several times.

### Fast searching (audible)

To fast search backwards or forwards,

➔ press and hold down one of the **<>** buttons (6) until fast searching backwards / forwards begins.

## Configuring the display

Five options are available for the display in CD changer mode:

- Track number and playing time ("TRCK-TIME")
  - Track number and time ("TRCK-CLK")
  - CD number and track number ("CD-TRCK")
  - CD number and time ("CD-CLK")
  - CD number and playing time ("CD-TIME")
- ➔ Press and hold down the **DIS** button (9) for longer than 2 seconds.
- ➔ For an additional selection, press and hold down the **DIS** button (9) for longer than 2 seconds.

### Repeating individual tracks or whole CDs (REPEAT)

To repeat the current track,

➔ briefly press the **4 RPT** button (12).

"RPT TRCK" appears briefly and RPT lights up on the display.

To repeat the current CD,

➔ press and hold down the **4 RPT** button (12) for longer than two seconds.

"RPT DISC" appears briefly and RPT lights up on the display.

### Cancelling REPEAT

To stop the current track or current CD from being repeated,

➔ briefly press the **4 RPT** button (12).

"RPT OFF" appears and RPT disappears on the display.

## Random track play (MIX)

To play the tracks on the current CD in random order,

➔ briefly press the **5 MIX** button (12).

"MIX CD" appears briefly and MIX lights up on the display.

To play the tracks on all inserted CDs in random order,

➔ press and hold down the **5 MIX** button (12) for longer than two seconds.

"MIX ALL" appears briefly and MIX lights up on the display.

### Cancelling MIX

➔ Briefly press the **5 MIX** button (12).

"MIX OFF" appears and MIX on the display disappears.

## Scanning all tracks on all CDs (SCAN)

To scan (briefly play) all the tracks on all the inserted CDs in ascending order,

➔ press and hold down the **MENU** button (10) for longer than two seconds.

"TRK SCAN" appears on the display and the number of the current track flashes.

### Stopping SCAN

To stop scanning,

➔ briefly press the **MENU** button (10).

The currently scanned track will then continue to be played normally.

### Note:

You can set the scanning time. For further information, please read the section entitled "Setting the scanning time" in the "Radio mode" chapter.

## Interrupting playback (PAUSE)

➔ Press the button **3** (12).

"PAUSE" appears on the display.

### Cancelling pause

➔ During the pause, press the button **3** (12).

Playback is continued.



## CLOCK time

### Displaying the time

To briefly display the time,

- ➔ press and hold the **SRC/⌚** button (14) until the time appears on the display.

### Setting the time

To set the time,

- ➔ press the **MENU** button (10).
- ➔ Press the **∨** or **∧** button (6) repeatedly until "CLOCK SET" appears on the display.
- ➔ Press the **<** button (6).

The time appears on the display. The hours flash and can be adjusted.

- ➔ Adjust the hours with the **∨∧** buttons (6).

Once the hours are set,

- ➔ press the **>** button (6).

The minutes flash.

- ➔ Adjusts the minutes with the **∨∧** buttons (6).
- ➔ Press the **MENU** button (10) twice.

### Selecting 12/24-hour clock mode

- ➔ Press the **MENU** button (10).

The display shows "MENU".

- ➔ Press the **∨** or **∧** button (6) repeatedly until "24 H MODE" or "12 H MODE" appears on the display.
- ➔ Press the **<** or **>** button (6) to switch between the modes.

When you have finished making your changes,

- ➔ press the **MENU** button (10).

### Displaying the time continuously when the device is off and the ignition is on

To display the time when the device is off and the vehicle ignition is on,

- ➔ press the **MENU** button (10).

The display shows "MENU".

- ➔ Press the **∨** or **∧** button (6) repeatedly until "CLOCK OFF" or "CLOCK ON" appears on the display.
- ➔ Press the **<** or **>** button (6) to switch the display between ON and OFF.

When you have finished making your changes,

- ➔ press the **MENU** button (10).

## Sound

You can adjust the sound settings (bass and treble) separately for each source (radio, CD, CD changer or AUX).

The volume distribution settings (balance and fader) apply to all the audio sources (except for traffic announcements).

Fader and balance can be adjusted for traffic announcements (TA) **only during** a traffic announcement.

### Note:

If bass and treble allow only a limited adjustment, set the equaliser presetting to EQ OFF.

For further details, please read the section "Equaliser presets".

### Adjusting the bass

➔ Press the **AUDIO** button (11).

"BASS" appears on the display.

➔ Press the **∨** or **∧** button (6) to adjust the bass.

When you have finished making your changes,

➔ press the **AUDIO** button (11).

### Adjusting the treble

➔ Press the **AUDIO** button (11).

"BASS" appears on the display.

➔ Press the **>** button (6) repeatedly until "TREBLE" appears on the display.

➔ Press the **∨** or **∧** button (6) to adjust the treble.

When you have finished making your changes,

➔ press the **AUDIO** button (11).

### Setting the left/right volume distribution (balance)

To adjust the left/right volume distribution (balance),

➔ press the **AUDIO** button (11).

"BASS" appears on the display.

➔ Press the **>** button (6) repeatedly until "BAL" appears on the display.

➔ Press the **∨** or **∧** button (6) to adjust the left/right volume distribution.

When you have finished making your changes,

➔ press the **AUDIO** button (11).

### Adjusting the front/rear volume distribution (fader)

To adjust the front/rear volume distribution (fader),

➔ press the **AUDIO** button (11).

"BASS" appears on the display.

➔ Press the **>** button (6) repeatedly until "FADER" appears on the display.

➔ Press the **∨** or **∧** button (6) to adjust the front/rear volume distribution.

When you have finished making your changes,

➔ press the **AUDIO** button (11).

## Equalizer presets (Presets)

This device features an equalizer in which the settings for the music genres "ROCK", "POP" and "CLASSIC" are already programmed.

To select an equalizer preset,

➔ Press the **AUDIO** button (11).

"BASS" appears on the display.

➔ Press the **>** button (6) repeatedly until "POP", "ROCK", "CLASSIC" or "EQ OFF" appears on the display.

➔ Press the **∨** or **∧** button (6) to select one of the presets or select "EQ OFF" to switch off the equalizer.

When you have finished making your changes,

➔ press the **AUDIO** button (11).

### Note:

By selecting an equaliser preset (POP, ROCK, CLASSIC), the adjustment range of the sound setting for bass and treble is restricted.

## X-BASS

X-Bass allows you to increase the bass at low volume.

The selected X-Bass setting is effective for all audio sources (radio, CD, CD changer or AUX).

The X-BASS increase can be set in increments of 1 to 3.

"XBASS OFF" means that the X-BASS function is switched off.

### Adjusting the X-BASS boost

➔ Press the **AUDIO** button (11).

"BASS" appears on the display.

➔ Press the **>** button (6) repeatedly until "XBASS" appears on the display with the current setting.

➔ Press the **∨** or **∧** button (6) repeatedly until the desired setting appears on the display.

When you have finished making your changes,

➔ press the **AUDIO** button (11).

## External audio sources

**Instead** of the CD changer, you can also connect another external audio source equipped with a line output. Audio sources can, for example, be portable CD players, MiniDisc players or MP3 players.

If you want to connect an external audio source, you will need an adapter cable. You can obtain this cable (Blaupunkt no.: 7 607 897 093) from your authorised Blaupunkt dealer.

### Note:

If no CD changer is connected, the AUX input must be switched on in the menu.

## Switching the AUX input on/off

➔ Press the **MENU** button (10).

The display shows "MENU".

➔ Press the **↵** or **↶** button (6) repeatedly until "AUX OFF" or "AUX ON" appears on the display.

➔ Press the **<** or **>** button (6) to switch AUX on or off.

When you have finished making your changes,

➔ press the **MENU** button (10).

### Note:

If the AUX input is switched on, you can select it by pressing the **SRC/⏪** button (14). The display shows "AUX INPUT" and a border appears around the AUX symbol.

## Specifications

### Amplifier

Output power: 4 x 18 watt sine according to DIN 45 324 at 14.4 V  
4 x 45 watt max. power

### Tuner

Wavebands in Europe:

FM	:	87.5 - 108 MHz
MW	:	531 - 1 602 kHz
LW	:	153 - 279 kHz

FM frequency response:

35 - 16,000 Hz

### CD

Frequency range: 20 - 20,000 Hz

### Pre-amp out

4 channels: 2 V

### Input sensitivity

AUX input: 2 V / 6 kΩ

### Weight

approx. 1.3 kg

Subject to changes!

---

Bitte den ausgefüllten Gerätepass sicher aufbewahren!  
Please keep the filled-in radio pass in a safe place!  
Prière de conserver soigneusement la carte d'autoradio remplie !  
Tenete per favore il libretto di apparecchio, debitamente riempito, in un posto sicuro!  
Bewaar de ingevulde apparaatpas op een veilige plaats!  
Vänligen förvara ifyllt apparatpass på säker plats!  
¡Favor guardar el documento del aparato debidamente llenado en un lugar seguro!  
Por favor, guardar o cartão preenchido do aparelho num lugar seguro!  
Det udfyldte apparatpas opbevares et sikkert sted!  
Prosimy przechowywać metrykę radia w bezpiecznym miejscu!  
Vyplněný dokument o přístroji prosím bezpečně uschovejte!  
Vyplnený dokument o prístroji prosím bezpečne uschovajte!

Country:		Phone:	Fax:	WWW:
Germany	(D)	0180-5000225	05121-49 4002	<a href="http://www.blaupunkt.com">http://www.blaupunkt.com</a>
Austria	(A)	01-610 39 0	01-610 39 391	
Belgium	(B)	02-525 5444	02-525 5263	
Denmark	(DK)	44 898 360	44-898 644	
Finland	(FIN)	09-435 991	09-435 99236	
France	(F)	01-4010 7007	01-4010 7320	
Great Britain	(GB)	01-89583 8880	01-89583 8394	
Greece	(GR)	210 94 27 337	210 94 12 711	
Ireland	(IRL)	01-46 66 700	01-46 66 706	
Italy	(I)	02-369 62331	02-369 62464	
Luxembourg	(L)	40 4078	40 2085	
Netherlands	(NL)	00 31 24 35 91 338	00 31 24 35 91 336	
Norway	(N)	+47 64 87 89 60	+47 64 87 89 02	
Portugal	(P)	2185 00144	2185 00165	
Spain	(E)	902 52 77 70	91 410 4078	
Sweden	(S)	08-7501850	08-7501810	
Switzerland	(CH)	01-8471644	01-8471650	
Czech. Rep.	(CZ)	02-6130 0446	02-6130 0514	
Hungary	(H)	76 511 803	76 511 809	
Poland	(PL)	0800-118922	022-8771260	
Turkey	(TR)	0212-335 06 71	0212-346 00 40	
USA	(USA)	800-950-2528	708-6817188	
Brasil (Mercosur)	(BR)	0800 7045446	+55-19 3745 2773	
Malaysia (Asia Pacific)	(MAL)	+604-6382 474	+604-6413 640	

09/06 - CM-AS/SCS1 (dt, gb, fr, it, nl, sw, es, pt, dk, pl, cz, sk)

## Gerätepass

Name: .....

Typ: **7 647** .....

Serien-Nr: **BP** .....

 **BLAUPUNKT**



8622405207